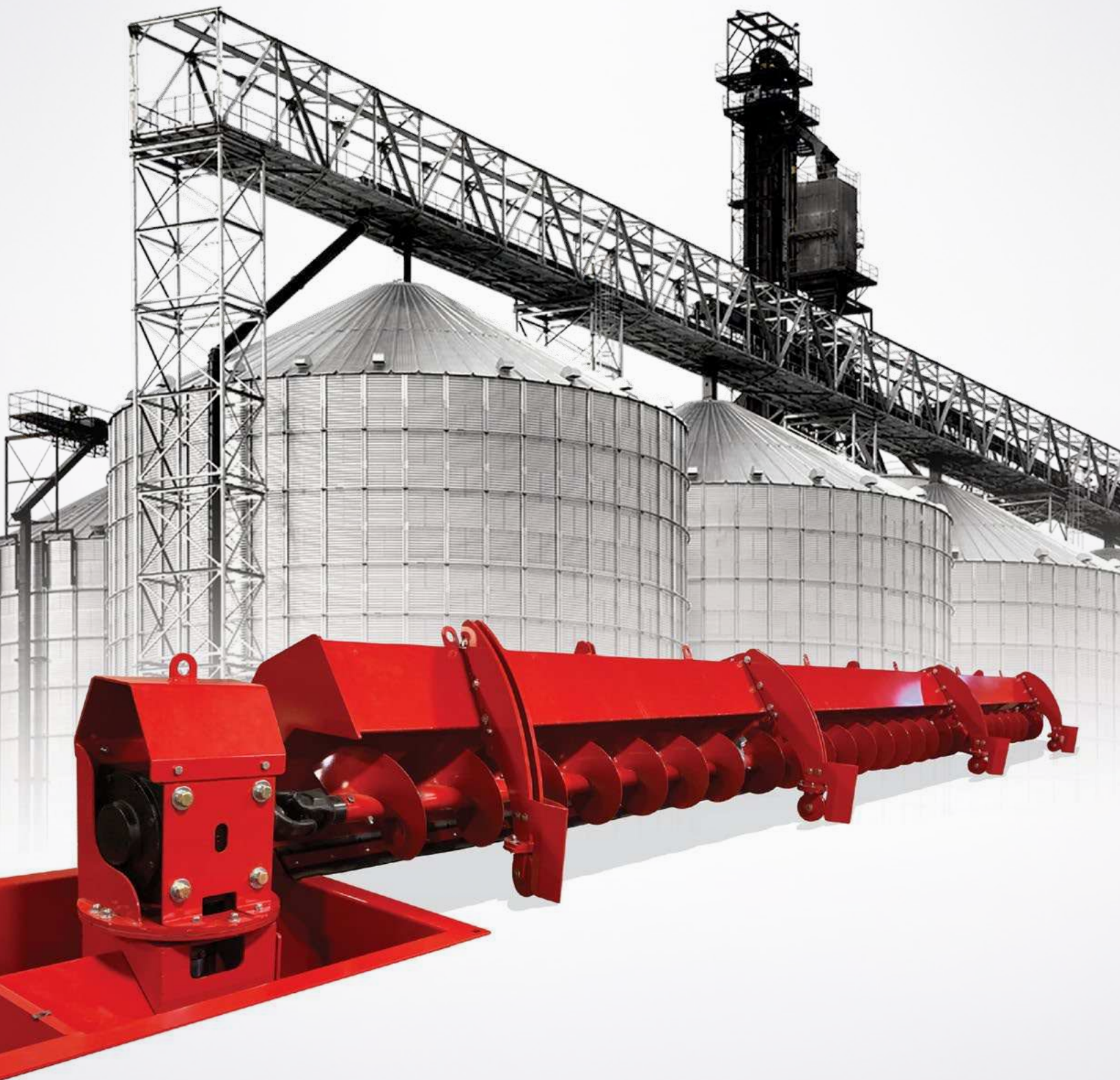


HI-FLOW SWEEP



AGI Hutchinson Hi-Flow

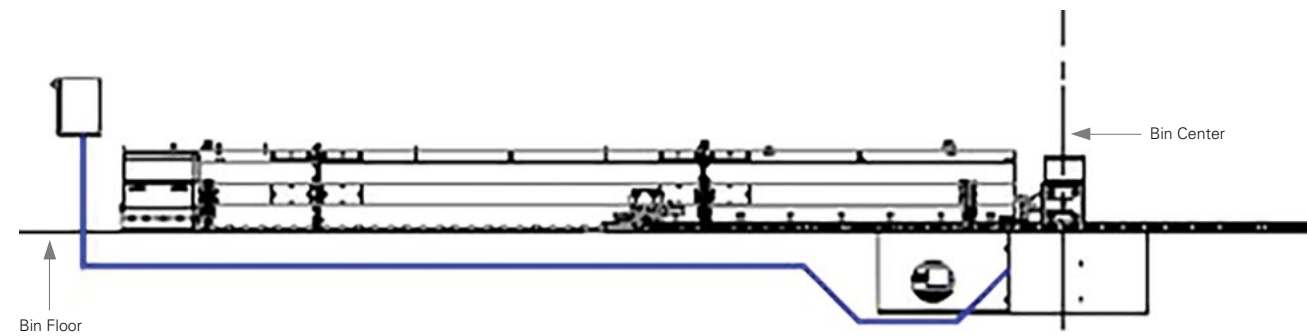
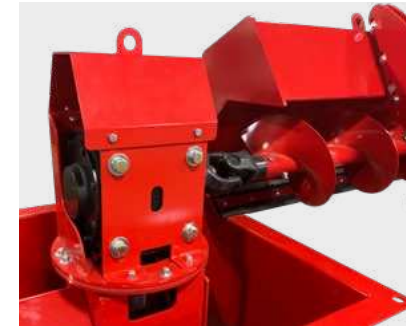
Zero bin entry with no electric motors in the bin

AGI Hutchinson's Hi-Flow is engineered for use in the industry's largest bins. The 16" model has a capacity of up to 10,000 BPH (270 MT/Hr) and features such as a long wearing 1/4" flight mounted on 3" Schedule 40 Pipe and a heavy-duty backboard, designed to handle substantial grain weight without deforming.

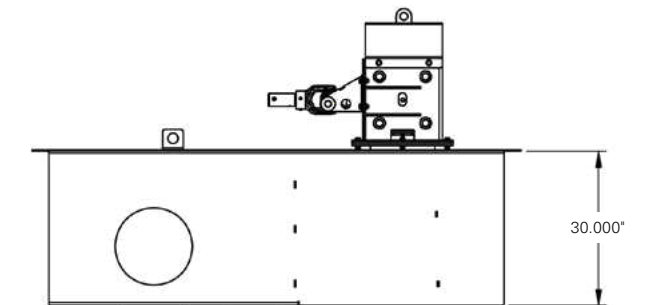
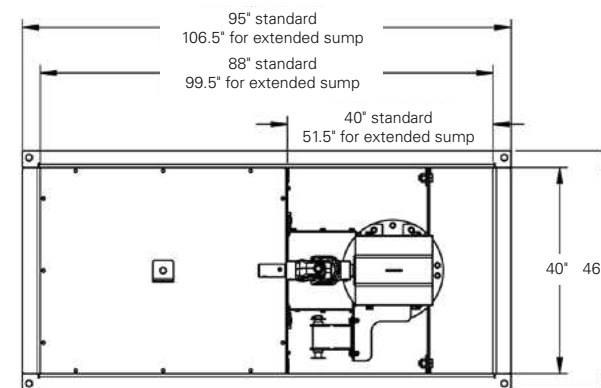
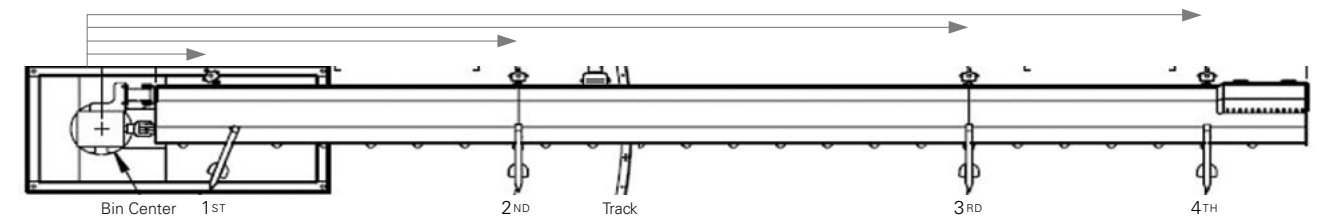
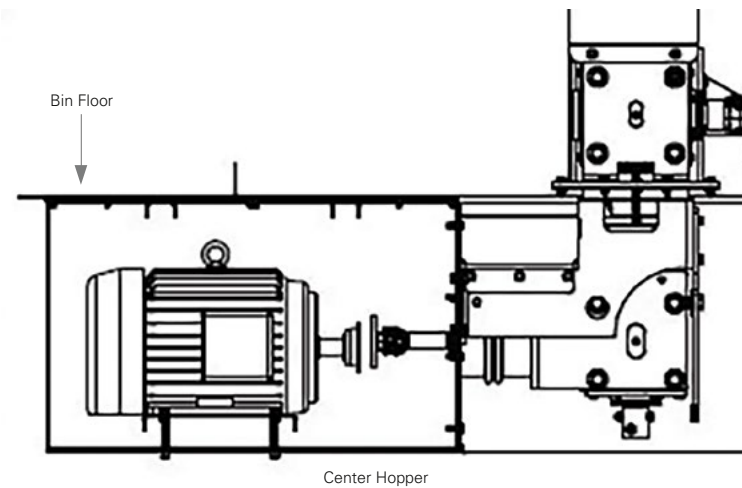
The Hi-Flow also features zero-entry controls to eliminate any need for bin entry during operation.

With the motor assembly located below the bin floor, the Hi-Flow provides additional safety to processors. For maintenance, the motor assembly can be accessed from the reclaim tunnel at any time.

The Hi-Flow backboard contains a 5/8" rubber scraper and adjustable front and rear wheels to level uneven floors. The hydraulically driven track drive system assures forward and reverse operation which eliminates drive wheel spinning or climbing in grain piles.



BIN DIAMETER (FT)	1ST	2ND	TRACK	3RD	4TH	5TH
48'	40 1/4" (1022 mm)	134 3/8" (3413 mm)	169" (4293 mm)	246 1/2" (6261 mm)	—	—
54'	40 1/4" (1022 mm)	134 3/8" (3413 mm)	169" (4293 mm)	246 1/2" (6261 mm)	—	—
60'	40 1/4" (1022 mm)	134 3/8" (3413 mm)	169" (4293 mm)	318" (8077 mm)	—	—
66'	40 1/4" (1022 mm)	134 3/8" (3413 mm)	169" (4293 mm)	277 1/2" (7049 mm)	353 5/8" (8982 mm)	—
BIN DIAMETER (FT)	1ST	2ND	TRACK	3RD	4TH	5TH
72'	40 1/4" (1022 mm)	134 3/8" (3413 mm)	277 1/2" (7049 mm)	312" (7925 mm)	277 1/2" (9919 mm)	—
75'	40 1/4" (1022 mm)	134 3/8" (3413 mm)	277 1/2" (7049 mm)	312" (7925 mm)	277 1/2" (9919 mm)	—
90'	40 1/4" (1022 mm)	134 3/8" (3413 mm)	277 1/2" (7049 mm)	312" (7925 mm)	421 1/2" (10706 mm)	497 3/4" (12643 mm)
BIN DIAMETER (FT)	1ST	2ND	TRACK	3RD	4TH	5TH
105'	40 1/4" (1022 mm)	134 3/8" (3413 mm)	277 1/2" (7049 mm)	421 1/2" (10706 mm)	457 1/2" (11621 mm)	565 3/4" (14370 mm)





HUTCHINSON is an AGI Brand.

AGI is a leading provider of equipment solutions for agriculture bulk commodities including seed, fertilizer, grain, and feed systems with a growing platform in providing equipment and solutions for food processing facilities. AGI has manufacturing facilities in Canada, the United States, the United Kingdom, Brazil, India and Italy and distributes its products globally.

AGI  HUTCHINSON

P.O. Box 629, Clay Center, Kansas, USA 67432
785.632.2161 | aggrowth.com/hutchinson

AGGROWTH.COM [aggrowthintl](#)     